

KRPAN[®]

reliably stronger



TRUCK CRANES



We enter the

TRUCK

CRANES

segment with
45 years
of confidence

KRPAN[®]

reliably **stronger**



since 1977

The company PIŠEK-Vitli KRPAN was founded in 1977.

We are one of the most renowned manufacturers of forestry winches in the world.

Our production programme includes also other forestry machinery: forestry trailers with cranes, log splitters, firewood processors, circular saws with telescopic conveyor belts, firewood bundlers, tractor tipper boxes, skidding grapples and other machines.

With highly automated and digitized production, we have entered the 4.0 industrial revolution.

25.000 m² +

OF PRODUCTION AREAS

12.000 +

MANUFACTURED MACHINES
PER YEAR

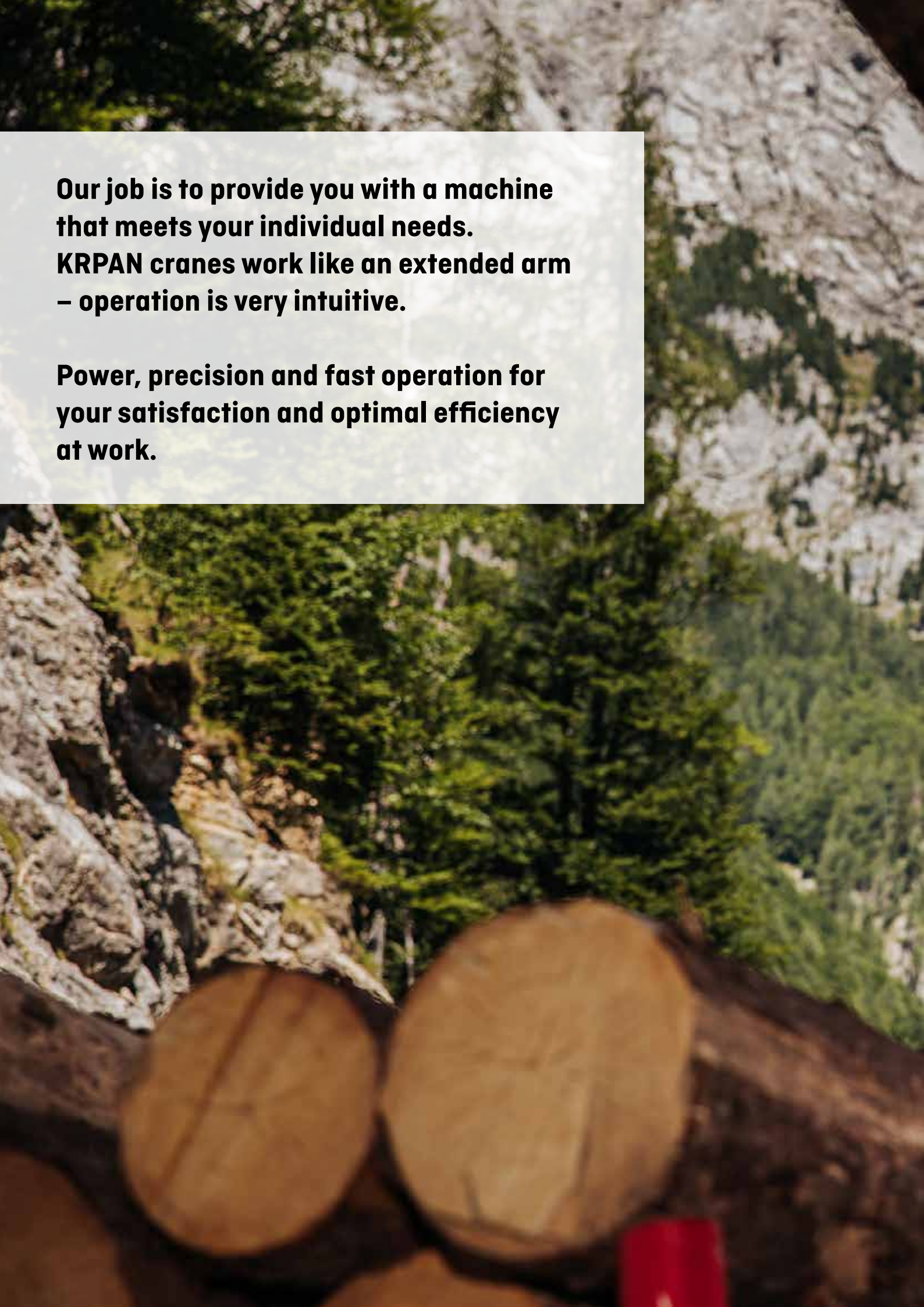
300 +

EMPLOYEES



SCAN ME AND
VISIT THE WEBSITE





**Our job is to provide you with a machine
that meets your individual needs.
KRPAN cranes work like an extended arm
– operation is very intuitive.**

**Power, precision and fast operation for
your satisfaction and optimal efficiency
at work.**



TRUCK CRANES

**tailored for
professional
users**





KRPAN truck cranes are tailored and optimized for each and every work step.

The cranes are available in L and Z version with different reaches.

They are intended for professional users who want to work quickly and safely with efficient loading and unloading cycles.



For an efficient working day

New in our offer are cranes intended for installation on truck bodies. They are developed for loading logs and biomass, for communal and other purposes.

They are tested in a wide variety of conditions and meet all technological standards. Along with our range of professional grabs and truck upgrade services we offer complete solutions for your needs.

The components are welded robotically, thus meet the highest quality standards. Welds of key components are controlled using ultrasound.

3 YEAR
WARRANTY

on construction

KRPAN®

reliably stronger



EXTEND YOUR REACH

- 1. Two toothed racks for maximum turning moment**
high torque guaranteed
- 2. Forged lower part of the column**
the column itself is lighter, more load-bearing, more compact
- 3. A unique solution for the protection of hydraulic pipes**
through the column (optional)
- 4. Modern and elegant design**
optimized construction in compliance with EN 12999
- 5. Protected pipe installation (Indexator HDX)**
for long life, easily accessible for maintenance

10,5 m



KR PAN T120Z

Cross-folding crane – Z version

belongs to the 12 tm capacity class

The Z series crane is suitable for use in forestry as well as in other fields. It is designed for efficient load manipulation; the work is done quickly and accurately.

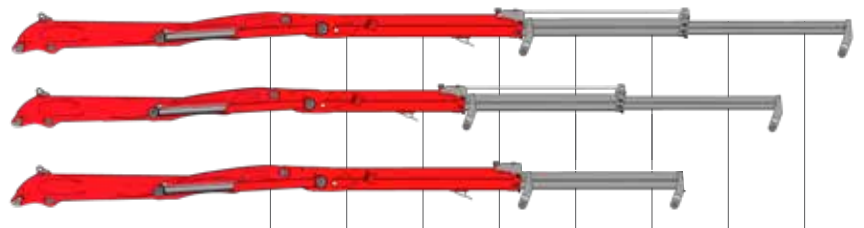
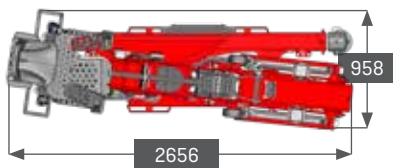
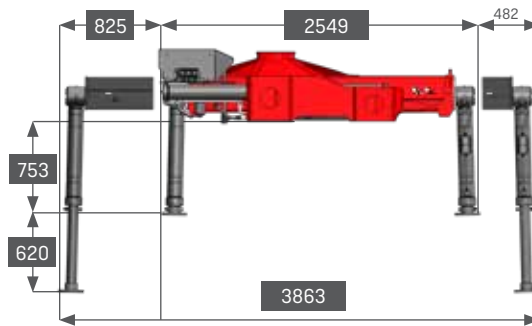
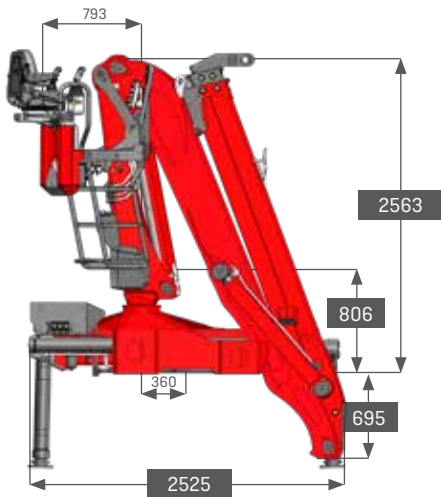
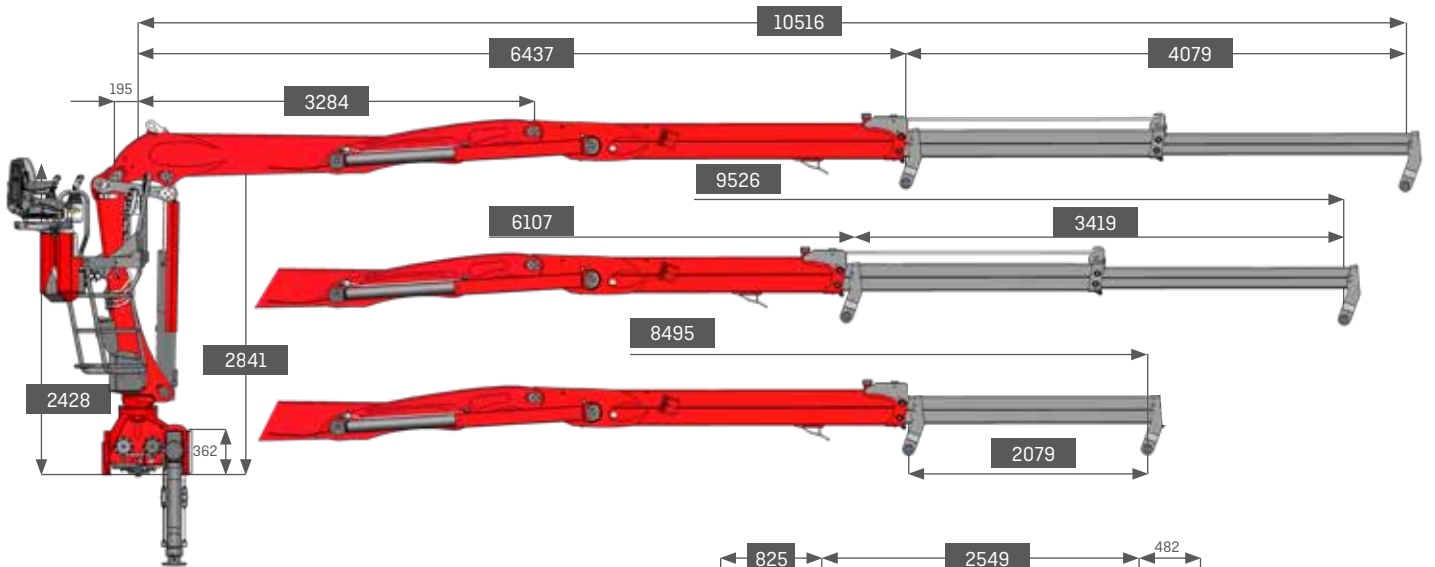
Installation is possible at the rear or behind the truck cabin. The maximum reach of 10.5 metres enables the operator to lift logs in a large area and load across the entire cargo space.

The crane folds into a compact Z-shape and thus does not interfere with the loading space, which enables a large volume of cargo.

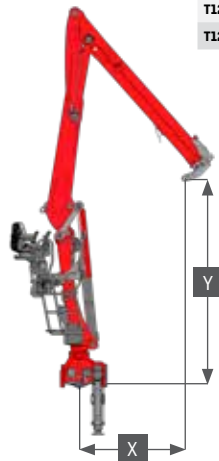
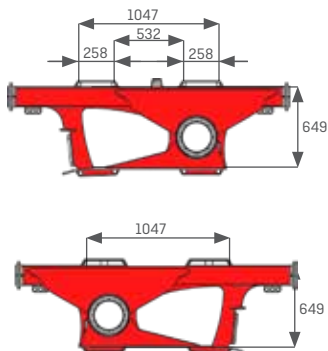
The construction of the crane is optimized with the most modern technology. All hydraulic hoses are guided inside the structure (optional), which ensures their maximum protection and a longer life.

KRIPAN®

reliably stronger



	3 m	4 m	5 m	6 m	7 m	8 m	9 m	10 m
T120Z / 85	3580 kg	2700 kg	2100 kg	1720 kg	1490 kg	1290 kg	/	/
T120Z / 95	3560 kg	2700 kg	2080 kg	1710 kg	1480 kg	1270 kg	1110 kg	/
T120Z / 105	3470 kg	2620 kg	2020 kg	1650 kg	1420 kg	1210 kg	1050 kg	900 kg



T120Z	X	Y
105	1430	3180
95	1250	3420
85	1440	3180

KRPAN T120Z

Reach max.	8,5 m	9,5 m	10,5 m
Lifting Torque net	109 kNm	107 kNm	105 kNm
Lifting Torque gross	120 kNm	120 kNm	120 kNm
Lifting Capacity at 4 m with Grabs	2400 kg	2340 kg	2300 kg
Lifting Capacity at max. Reach	1250 kg	1010 kg	860 kg
Weight	2205 kg	2290 kg	2340 kg
Slew Torque	25 kNm	25 kNm	25 kNm
Slew Angle	425°	425°	425°
System Pressure	280 bar	280 bar	280 bar
Telescope Stages	1	2	2
Support Legs	standard	standard	standard

EXTRA REACH



KRPAN®

reliably **stronger**

KRPAN C120L

OPTIMAL FOR USE ON WOOD CHIPPERS

Longitudinal folding cranes – L version

belongs to the 12 tm capacity class

The welded base with a slewing system of toothed racks has a compact design, while the gears and racks are immersed in an oil bath. The crane's slew angle is 425°. As an advanced solution in its segment, the lower part of the crane's column is forged. Dimensioned for maximum loads, the gear is forged and inductively hardened for maximum service life.

The lower part of the column and the base is specially designed to allow its hydraulic hoses to be guided through the column via a hydraulic distributor to the crank mechanism. The crank mechanism is specially designed to allow all consumer hoses to be guided inside the arms, which offers better protection and, consequently, longer service life. The crane's max. reach is 10.5 metres.

The double telescopic second arm is one of the narrowest currently available in this segment. To achieve the maximum service life of the bronze sliding bushings, the diameters of the bolts are dimensioned with a margin. The crane complies with the requirements of the SIST EN 12999 standard.





MUS-MAX

KRPAN CR 24 B/D

KRPAN CR20

KRPAN

KRPAN[®]

reliably **stronger**



HIGH PERFORMANCE

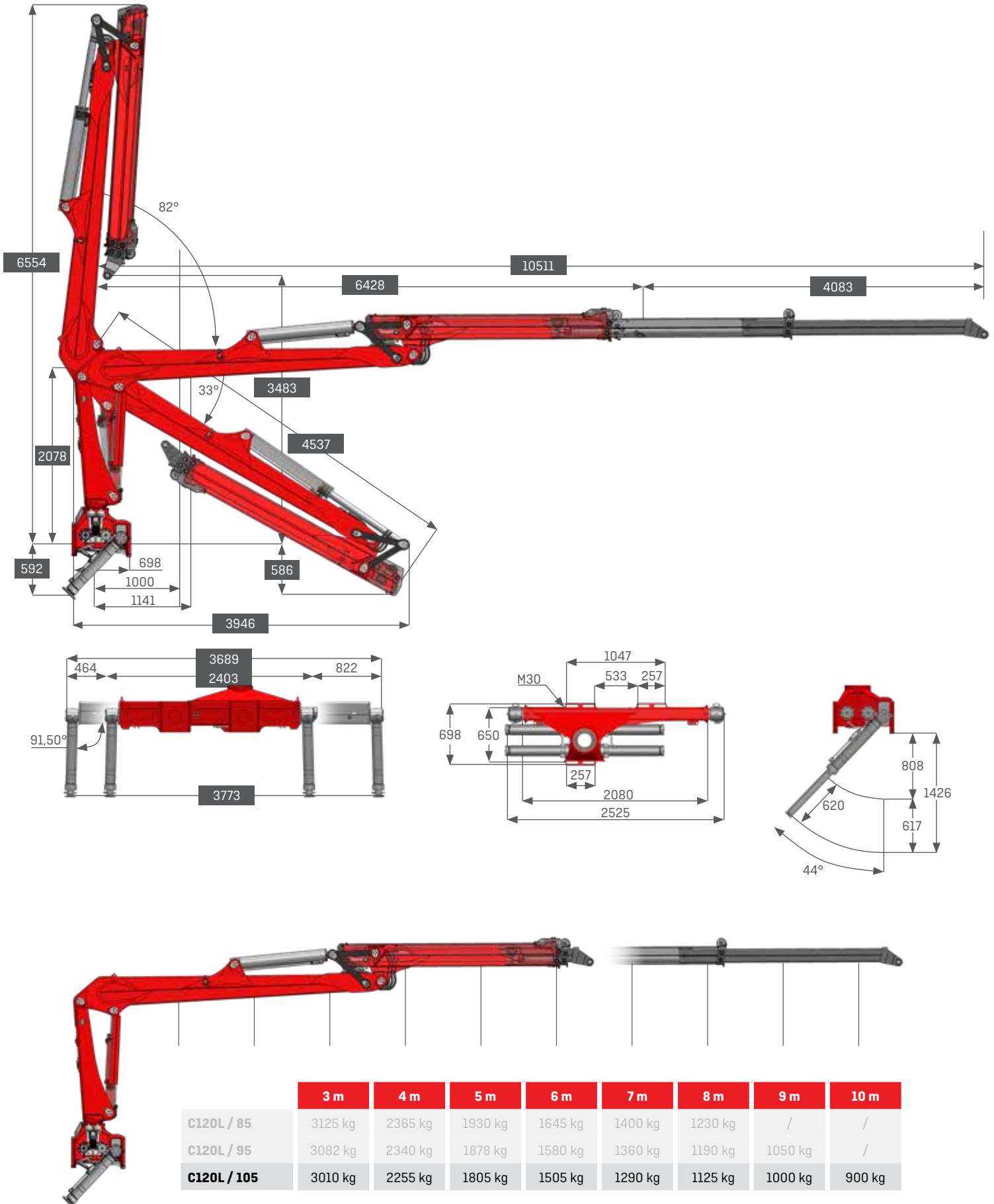


KRPAN C120L

- 1. Two toothed racks for maximum turning moment**
high torque guaranteed
- 2. Forged lower part of the column**
the column itself is lighter, more load-bearing, more compact
- 3. A unique solution for protection of hydraulic pipes**
through the column (optional)
- 4. Modern and elegant design**
optimized construction in compliance with EN 12999
- 5. Protected pipe installation (Indexator HDX)**
for long life, easily accessible for maintenance

3 YEAR
WARRANTY

on construction

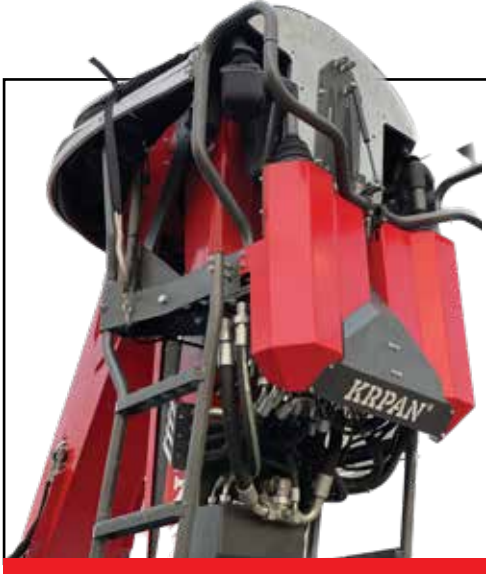


KRPAN C120 K

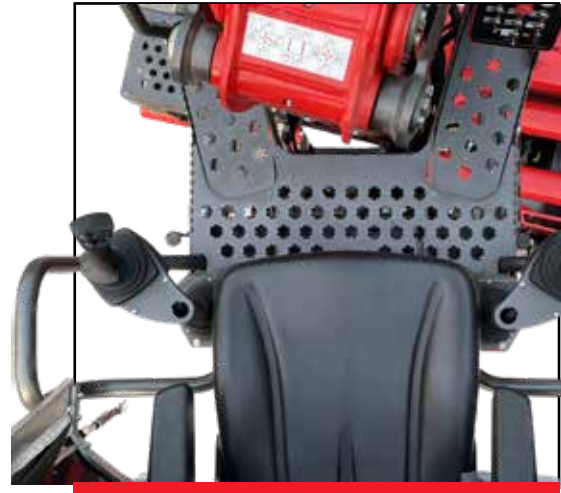
Reach max.	8,5 m	9,5 m	10,5 m
Lifting Torque net	109 kNm	107 kNm	105 kNm
Lifting Torque gross	120 kNm	120 kNm	120 kNm
Lifting Capacity at 4 m with Grabs	2530 kg	2480 kg	2255 kg
Lifting Capacity at max. Reach	1120 kg	970 kg	860 kg
Weight	2205 kg	2290 kg	2340 kg
Slew Torque	26 kNm	26 kNm	26 kNm
Slew Angle	425°	425°	425°
System Pressure	250 bar	250 bar	250 bar
Telescope Stages	1	2	2

EXTRA REACH





High seat with crane hood



Left or right high seat position with joystick control



High seat with mechanical control



Electric control of stabilizing system



Control panel



Crane controls – hydraulic (low pressure) or electric control



**Spacious CABIN
offering comfort, safety
and superior visibility**

**PERSONALIZE
YOUR NEW CRANE IN YOUR**

FAVOURITE COLOUR SHADE

Sandblasted and powder coated surface for better durability.
All RAL colours are available.
Ask your sales advisor for additional information and options.



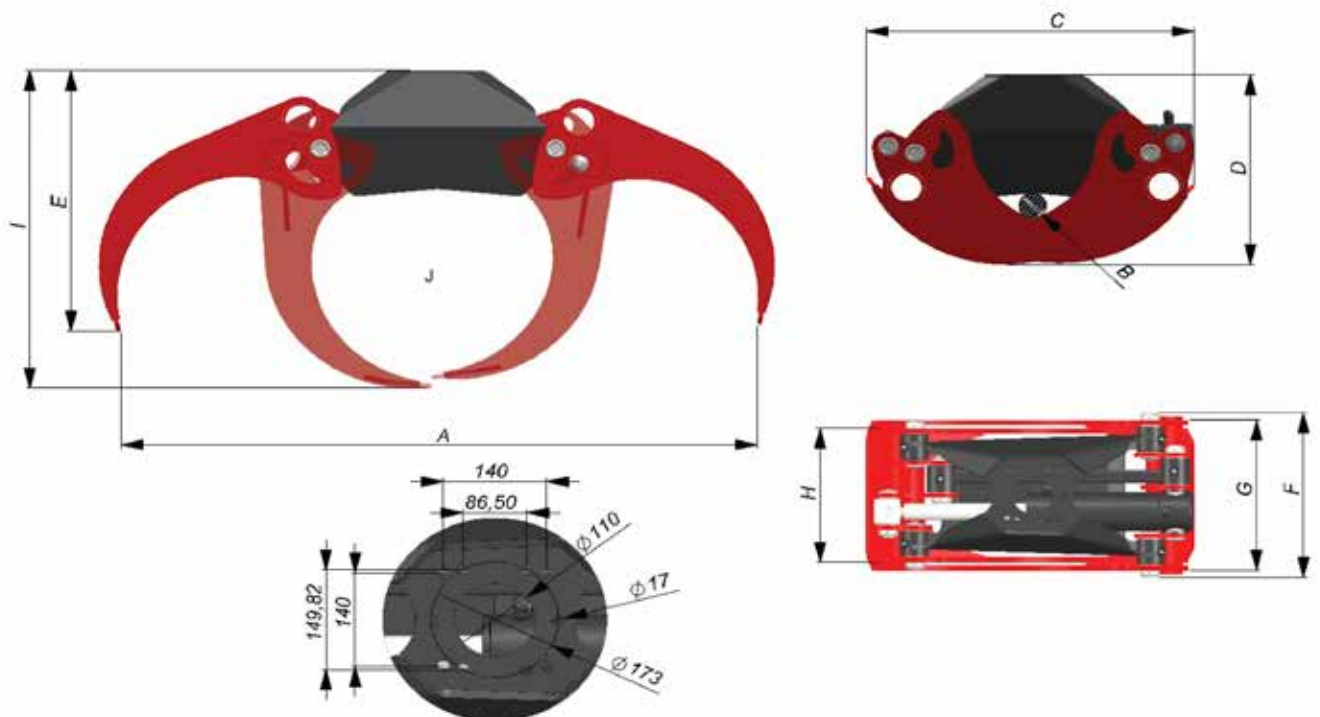
Due to continuous product development, we reserve the right to adjust the data in the catalogue.
The images may also show equipment that is not part of the standard equipment. We apologize for any printing errors.
For more information visit our website: www.vitli-krpan.com
KR PAN© 03/2025



KR PAN GRABS are designed for use on wood chippers and forestry trucks

**ENHANCED and
POWERFUL**

TYPE	GR 23	GR 27	GR 27 B10	GR 35	GR 43	GR 53
Max. Opening Width (mm)	1375	1570	1570	1750	2050	2150
Smallest Diameter (mm)	82	90	90	75	90	118
Length – Closed (mm)	780	815	815	915	985	1130
Height – Closed (mm)	550	570	570	570	605	680
Height – Open (mm)	730	708	708	775	760	940
Width 1 (mm)	494	494	494	494	494	568
Width 2 (mm)	450	450	470	450	450	525
Width 3 (mm)	402	402	412	402	402	475
Height – Partially Closed (mm)	835	880	880	955	1025	1170
Cross-Section (m ²)	0,23	0,27	0,27	0,33	0,41	0,51
Max. Operating Pressure (bar)	250	250	250	250	250	250
Gripping Force at Max. Pressure (kN)	14,6	13,5	13,5	19,5	20,1	23,4
Load Capacity (kg)	4500	5000	5000	6000	7000	5000
Weight (kg)	155	179	194	204	230	275



PRODUCTION OF AGRICULTURAL AND FORESTRY MACHINERY

PIŠEK - Vitli KRPAN, d.o.o.

Jazbina 9a
3240 Šmarje pri Jelšah
Slovenia

+386 (0)3 819 00 90
info@vitli-krpan.com

www.vitli-krpan.com

